



Chill Innovation KB-1RF

Wireless 2.4G RF Micro Keyboard

USER MANUAL



CONTENTS

1. WELCOME	3
2. PRODUCT DESCRIPTION.....	3
3. PRODUCT PACKAGE	3
4. OVERVIEW	4
5. HARDWARE INSTALLATION	5
5.1. Connecting your keyboard	5
5.2. Charging the battery.....	6
6. USING YOUR KEYBOARD.....	7
6.1. Function overview	7
6.2. LED indicators.....	7
6.3. Power On / Off	8
6.4. Using the Function keys (Fn)	8
6.5. Using the media control keys	8
6.6. Flashlight / Laser Pointer function	9
6.7. Backlight	9
6.8. Power saving.....	9
6.9. Pairing.....	9
7. TIPS AND TROUBLESHOOTING.....	9
8. IMPORTANT NOTES	10
8.1. Hardware Compatibility Disclaimer	10
8.2. FCC statement.....	10
8.3. CE.....	10
9. APPENDIX SPECIFICATIONS.....	11

1. Welcome

Thank you for purchasing this Wireless 2.4G RF Micro Keyboard with Touchpad from Chill Innovation A/S. This manual contains detailed instructions for installing and using the keyboard.

2. Product description

This keyboard will give you total control of your PC entertainment, right from the palm of your hands. Just sit back in your sofa and enjoy movies, music, share photos, surf the web etc.

Integrated media controls and a compact sleek design make this Micro Keyboard the perfect match for HTPC entertainment and consoles.

Backlight allows effortless text entry, even in low light.

Hi-grade Li-polymer battery recharge fast and last longer - Up to one month between charges.

While enjoying movies in low light, the built-in flashlight will give you more convenience!

Style, comfort and portability, the keyboard will innovate your life.

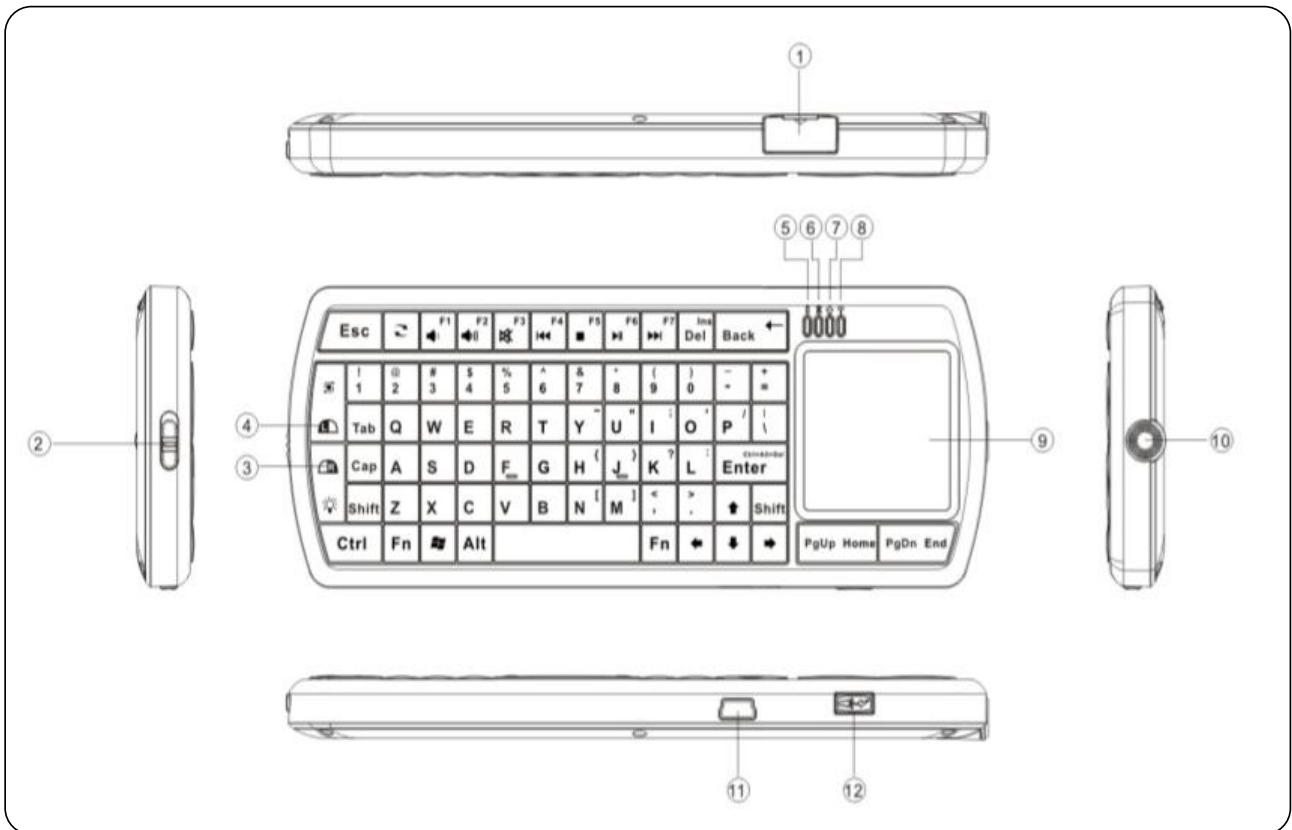
3. Product package

The retail package contains:

- RF Micro Keyboard
- USB2.0 Power Cable
- USB 2.4G RF Receiver Dongle
- Dummy USB Dongle cover
- Quick Guide

If any items are damaged or missing, please contact your vendor.

4. Overview

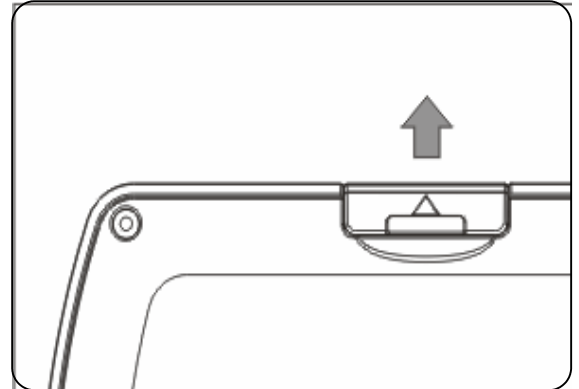


1. RF receiver USB dongle
2. Power Switch
3. Mouse right key
4. Mouse left key
5. Battery Charging indicator
6. Low Battery indicator
7. Caps Lock indicator
8. Wireless communication indicator
9. Touchpad
10. Flashlight or Laser Pointer
11. Mini-USB Power port
12. Power switch for LED flashlight / laser pointer

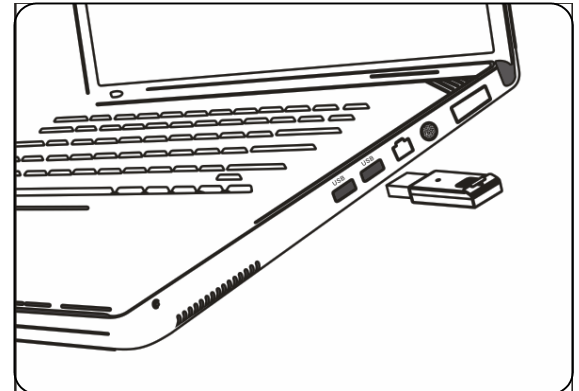
5. Hardware Installation

5.1. Connecting your keyboard

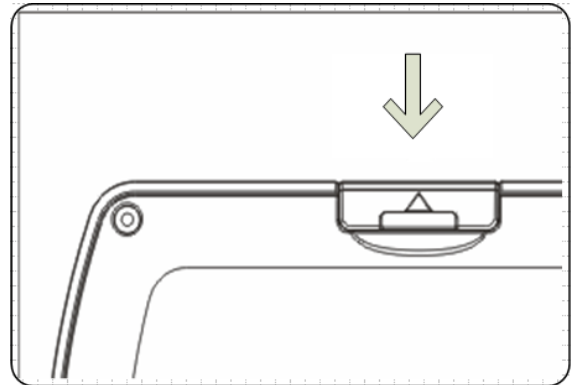
- 5.1.1. Take out the USB Dongle from the keyboard compartment.



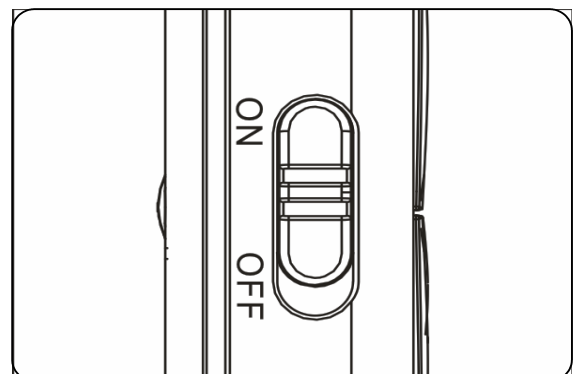
- 5.1.2. Plug the Dongle into a USB port on your computer or console.



- 5.1.3. Put the dummy Dongle cover into the empty compartment in the Keyboard



- 5.1.4. Turn the power switch to ON.



- 5.1.5. Congratulations! You have successfully installed your Micro Keyboard.

5.2. Charging the battery

The Keyboard comes with a built-in Hi-grade Li-polymer battery. Please only use approved USB cables and chargers.

Connect the Keyboard and computer with the included USB cable to start charging the battery.

The red Battery Charging LED indicator (5) will turn on when charging is in progress.

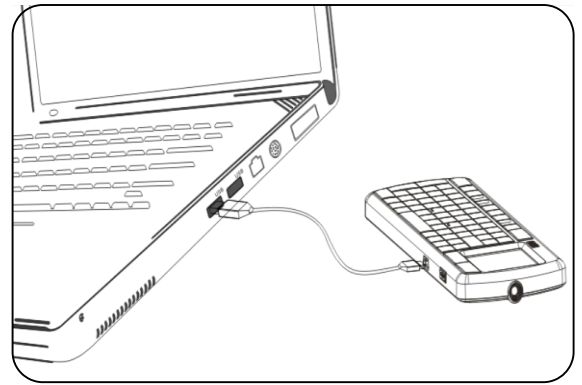


Figure. 5

A full charge takes about 4 hours and will last up to one month of use.

A 10 minutes charge will provide approximately one day of use.

When charging is completed, the charging LED (5) will turn off.

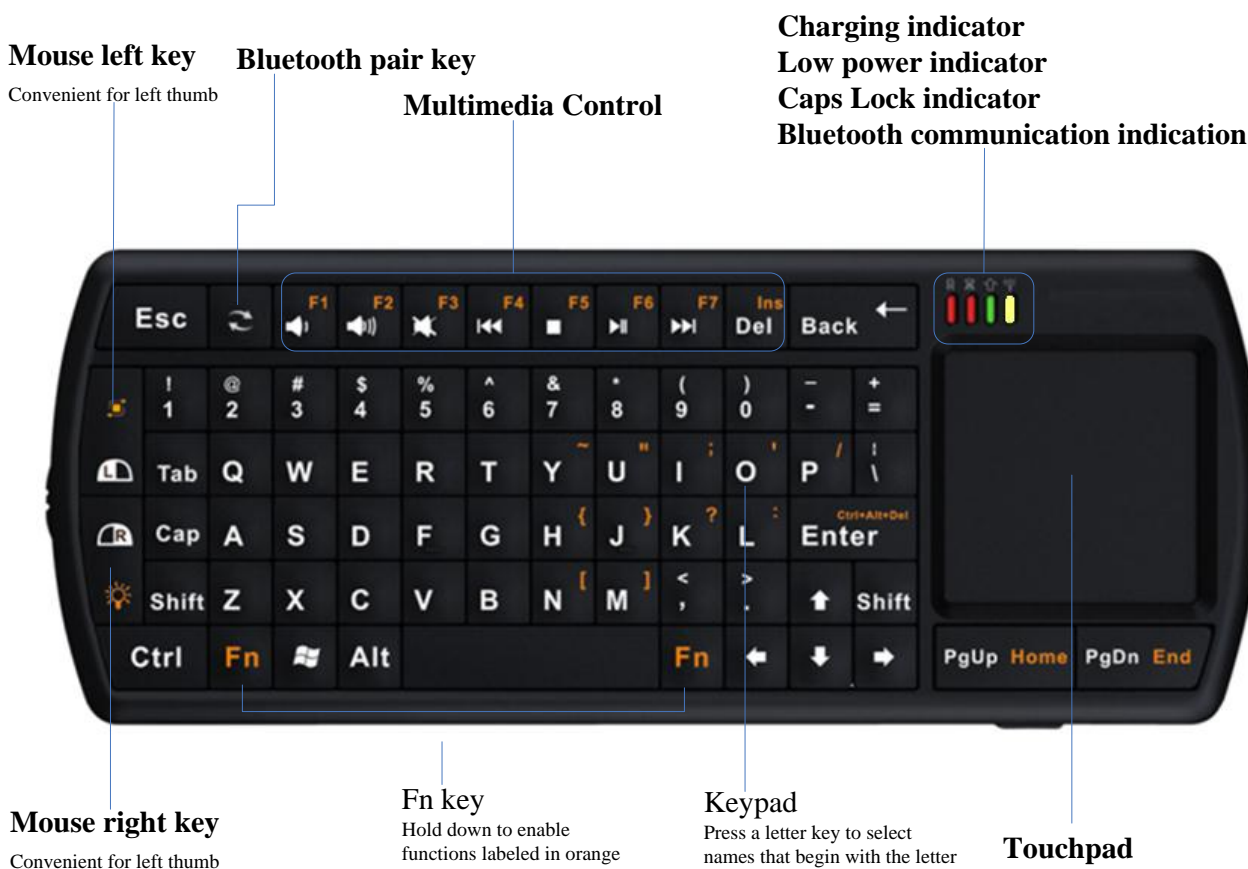
Please pull out the charging cable from computer or AC Power source, and then remove the charger cable form keyboard afterwards.

When the battery capacity is getting low, the 'Low Battery' LED indicator (6) will start to blink.

Note: Before using the keyboard for the first time, the battery must be fully charged!

6. Using your keyboard

6.1. Function overview



6.2. LED indicators



Charging indicator:

The red LED will bright during battery charging. The LED will turn off when the battery is fully charged.



Battery low indicator:

The red LED will start to blink when battery capacity is low. Nearly time to recharge.



Caps Lock indicator:

When the LED is in green, the keyboard is in Capital status (Fn + A)





Wireless Communication indicator:

The yellow LED will bright for 5 seconds when the keyboard is turned on.

When pressing the PAIR/CONNECT key for 2 seconds, the yellow LED will blink to indicate the keyboard in pairing mode. When successfully paired with the RF Dongle, the LED will turn off.



6.3. Power On / Off

Push the power switch  to the “ON” position. The orange LED  and the backlighting will light up for about 5 seconds.



When the orange LED turns off, you can start using it as a regular QWERTY keyboard and the touchpad to control the mouse cursor.


When not using the keyboard, push the power switch to “OFF” position to save power.


6.4. Using the Function keys (Fn)

- Hold down one of the “Fn” keys to enable the functions labeled in **orange**.
- There are two special functional key on the mouse left and right key as below:
 - ◆ Press  and  to toggle the touchpad direction vertically & horizontally

This is great for using the keyboard single handed, as a remote control.

- ◆ Press  and  to toggle Backlighting ON and OFF.

- ◆ Press  and **ESC** to toggle normal and double touchpad speed on

Nordic Keyboard version and  and **BACK** key on UK / US versions.



Nordic Keyboard Layout notice:

Since keyboard layout differs slightly between the Nordic countries, some “Fn” keys might only apply to certain language settings. Some “Fn” characters are displayed on multiple keys in order to support all Nordic keyboard layout standards.

The Æ/Ø/Ö and Ø/Æ/Ä keys can also be reversed by holding down the “Fn” key while pressing it for greater convenience.

6.5. Using the media control keys

The media control keys in the top will provide you easy access to the most common features used when watching movies and listening to music through PC etc.

Adjust the volume, mute, start / stop / pause and skip track with great ease and comfort.

6.6. Flashlight / Laser Pointer function

This Keyboard comes with a built-in LED Flashlight for great comfort when watching movies in the dark, locating nearby stuff or checking out notes during presentations etc.

The Keyboard also comes in an optional version featuring a Laser Point instead. This is great for presentation use.

6.7. Backlight

The Keyboard has a built-in backlight feature for easy typing in low light environments. There are two ways to control the backlit – by software and manually.

If you manually want to turn on the backlight, just press



and



keys.

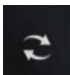

6.8. Power saving

When the keyboard is not operated for 1 minute, it will go into sleep mode to save power. After 30 minutes of inactivity it will go into Standby mode to save even more power. Just press any key to wake up the keyboard (except the touchpad).

For maximum power save, please turn OFF the keyboard when not in use.

6.9. Pairing

The Keyboard and Dongle included comes pre-paired from the factory for easy setup. The technology used will ensure that even multiple keyboards can be used simultaneously without interference. However, if interference should occur in special circumstances, you can change the radio channel as follow:

- Press the PAIR/CONNECT  key for about 2 seconds.
- The communication indicator  will start to blink repeatedly.
- If the Dongle and Keyboard match successfully, the yellow LED will turn off and you can now use the keyboard and touchpad.

7. Tips and troubleshooting

If a problem should occur, you can probably solve it by following one of these directions:

- Restart your computer or console.
- Plug the USB RF receiver into a different USB port.
- Restart your keyboard
- Recharge the keyboard
- Press the PAIR/CONNECT key for 2 seconds to pair the Keyboard with the Dongle
- For best operating distance avoid obstacles between the Dongle & Keyboard.
- Visit the FAQ at www.chill-innovation.com/faq.php for additional information.

8. Important Notes

8.1. Hardware Compatibility Disclaimer

The keyboard have been tested and certified on all platforms within the compatibility list.

However it is beyond our control if the individual hardware/software manufacturers might limit the support for 3rd party devices, like this keyboard, in their products.

8.2. FCC statement

This equipment has been tested and found to comply with the limits for a Class B digital device, pursuant to Part 15 of the FCC Rules; these limits are designed to provide reasonable protection against harmful interference in a residential installation. This equipment generates, uses, and can radiate radio frequency energy and, if not installed and used in accordance with the instructions, may cause harmful interference to radio communications. However, there is no guarantee that interference will not occur in the particular installation. If this equipment does cause harmful interference to radio or television reception, which can be determined by turning the equipment off and on, the user is encouraged to try to correct the interference by one or more of the following measures:

- Reorient or relocate the receiving antenna.
- Increase the separation between the equipment and receiver.
- Connect the equipment into an outlet on a circuit different from that to which the receiver is connected.
- Consult and authorized dealer or service representative for help.

8.3. CE

Europe – EU Declaration of Conformity for RF 2.4G wireless keyboard with integrated touchpad

Products intended for sale within the European Union are marked with the CE Marking, which indicates compliance with the applicable Directives and European Norms, and amendments, identified below.

The manufacturer hereby declares that this RF 2.4G Wireless Micro Keyboard is in compliance with the essential requirements and other relevant provisions of Directive 1999/5/EC.

9. Appendix Specifications

- 71 keys with Backlighting
- Multimedia & function keys

- Touchpad
 - Dimensions: 31 x 31 mm
 - Resolution: 400 DPI
 - Supports 'point and click'
 - 90 degree rotation (horizontal and vertical use)

- LED Flashlight or Laser Pointer built-in depending on model.

- Dimensions and weight
 - Keyboard: 155mm x 61mm x 12mm
 - Net weight: 102g (including Dongle)
 - Packaging: 103 x 192 x 53 mm
 - Gross weight: 280g

- Connection
 - 2.4Ghz RF Wireless Technology
 - Point-to-point technology pre-configured keyboard (Does not act as Hub)
 - PnP (Plug and Play) USB RF Dongle
 - Up to 10 meter range

- Power and battery
 - 30 days (battery standby time)
 - Full-charge: Takes about 4 hours
 - Fast-charge: Takes about 10 minutes for 1 day of use
 - Battery: 850 mAH Lithium Polymer
 - Power consumption (without backlight): <10mA
 - Standby consumption: <1.5mA

- Compatibility
 - Windows XP / Vista / 7, Mac & Linux-based PCs, Notebooks & Tablets.
 - Sony PlayStation 3™
 - Microsoft Xbox 360™

Visit www.chill-innovation.com for further information.

Copyright © Chill Innovation A/S – All rights reserved.